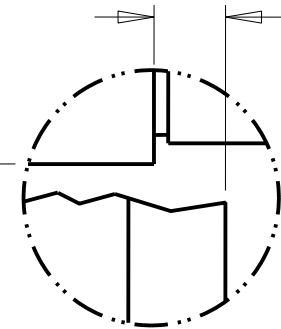


CONNECTOR HOUSINGS MAY BE ROTATED FOR REARWARD CONNECTOR ORIENTATION

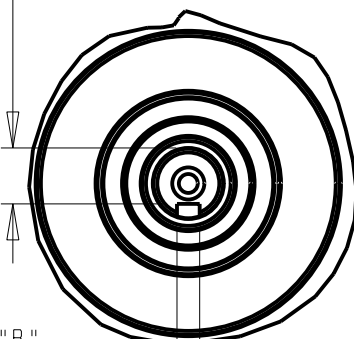
ENCODER CONNECTOR
INTERCONTEC AEDC113NN00000222000
INTERCONTEC 61.004.11 PIN CONTACTS

0°±10° SHAFT KEYWAY
ORIENTATION FOR ENCODER
ABSOLUTE POSITION = 0

POWER CONNECTOR
INTERCONTEC BEDC09INN00000217000
INTERCONTEC 61.193.11 PIN CONTACTS (U,V,W, GROUND)



DETAIL "A"



DETAIL "B"

MODEL	LB	LD	LE
MPL-B1510	113,5 [4.47]	78,5 [3.09]	37,8 [1.49]
MPL-B1520	126,5 [4.98]	91,3 [3.60]	50,9 [2.00]
MPL-B1530	151,9 [5.98]	116,3 [4.58]	76,7 [2.98]

PIN-OUT		PIN-OUT	
PIN	FUNCTION	PIN	FUNCTION
A	U	1	SIN +
B	V	2	SIN -
C	W	3	COS +
⊕	GROUND	4	COS -
E-H	-	5	DATA +
L	-	6	DATA -
		7-10	-
		11	EPWR 9V
		12	ECOM
		13	TS +
		14	TS -
		15-17	-

NOTE:

1. DXF FILE OF THIS DRAWING MUST BE SCALED TO LENGTH, SEE CHART ABOVE. MODEL SHOWN IS MPL-B1520x-xJ72AA.

2. 3D STEP (.stp) FILES AVAILABLE AT ALL LENGTHS.

3. THIS DRAWING COVERS SINGLE AND MULTI-TURN ABSOLUTE ENCODER MODELS (i.e., MPL-B15xxx-EJ72AA and MPL-B15xxx-VJ72AA).

**Rockwell
Automation**

CONFIDENTIAL AND PROPRIETARY INFORMATION.
THIS DOCUMENT CONTAINS CONFIDENTIAL AND PROPRIETARY
INFORMATION OF ROCKWELL AUTOMATION, INC. AND MAY
NOT BE USED, COPIED OR DISCLOSED TO OTHERS, EXCEPT
WITH THE AUTHORIZED WRITTEN PERMISSION OF ROCKWELL
AUTOMATION, INC.

ESM,MPL-B15xxx-EJ72AA;MPL-B15xxx-VJ72AA

Sheet 1 Of 1

Drawn by: SAJOHNSON

Date: 08-06-10

Size

B

10000128125

Ver

00